

Meraki 11 dBi, 2.4 GHz Sector Antenna (ANT-13)

Datasheet



The Meraki ANT-13 sector antenna is an 11 dBi, MIMO, 2.4 GHz antenna ideal for providing client coverage over focused areas. It is designed for use with the Meraki MR58 2.4 GHz radio.

➤ Electrical

- Antenna type: sector
- Frequency range: 2.400 – 2.500 GHz
- Gain: 11 dBi
- Polarization: vertical / horizontal
- Half power bandwidth / horizontal: 80

➤ Cables

- Cables with two N-type connectors included.

➤ Mounting

- Mounting hardware and cables included
- Mounts to walls, poles, or MR58 directly

➤ Physical and Environmental:

- Dimensions: 8.5 x 4.8 x 1.4" (215 mm x 122 mm x 35 mm)
- Weight: .26 lbs (120 g)
- Material: UV resistant plastic
- Temperature: -40° F – 176° F (-40° C – 80° C)
- Connector: 2 x N-type

➤ Warranty

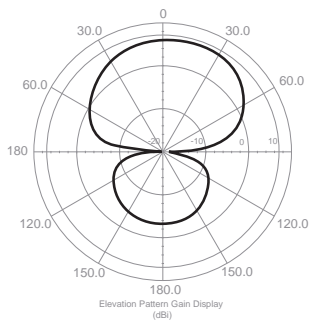
- 1 year hardware warranty included

➤ Regulatory

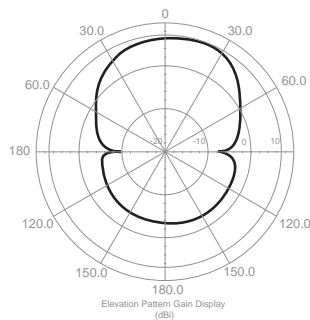
- Certified for use with the MR58

➤ Signal Coverage Pattern

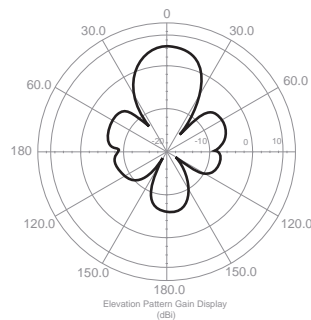
Horizontal Port-1



Horizontal Port-2



Vertical Port-1



Vertical Port-2

